



PRESSURE

DIFFERENTIAL PRESSURE SWITCHES MODELS RFS-4001

DESCRIPTION

Models RFS-4001-025 and RFS-4001-031 Differential Pressure Switches are general-purpose, airflow-proving switches designed for HVAC and building automation applications. They may be used to sense positive, negative, or differential air pressure.

The plated housing contains a diaphragm, calibration spring and snap-acting switch. The **Model RFS-4001-025** pressure connections located on each side of the diaphragm, accept copper or flexible 1/4" OD tubing. The **Model RFS-4001-031** has tri-barb connectors that accept 1/8", 1/4", and 5/16" ID flexible tubing. An enclosure cover guards against accidental contact with the live-switch terminal screws and the set point-adjusting screw. The enclosure will accept a 1/2" conduit connection.

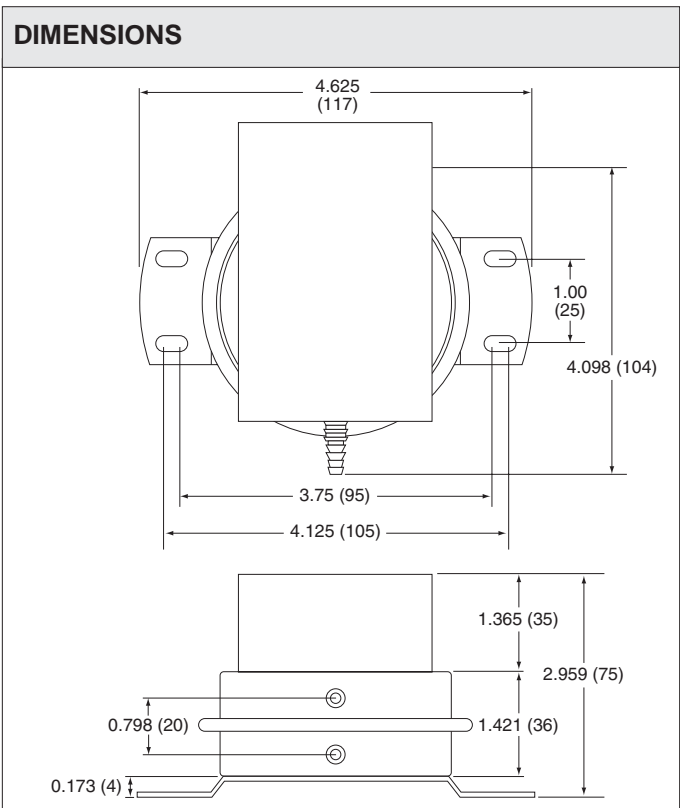
FEATURES

- **Two-year warranty**
- **Adjustable set point**
- **Knockout for 1/2" conduit**
- **Enclosed terminals**
- **Compression or barb fittings**

SPECIFICATIONS	
Set point range	0.15" to 5.0" W.C. (37.3 to 1245 Pa)
Differential	Progressive, increasing from 0.05" WC at minimum setpoint to 0.3" WC at maximum setpoint
Mounting position	Diaphragm in any vertical plane, avoid upward pressure connections
Media compatibility	Air or gases that will not degrade silicone
Contacts	SPDT
Electrical rating	300 VA pilot duty @ 115-277 VAC, 15A non-inductive to 277 VAC
Electrical connections	Screw terminals with cup washers
Pressure connections	
RFS-4001-025	1/4" compression, suitable for use with 1/4" copper or plastic tubing
RFS-4001-031	Tri-barb connectors for 1/8", 1/4" and 5/16" ID tubing
Max overpressure	0.5 psig (3.5 kPa)
Operating temp	-40° to 180°F (-40° to 82°C)
Weight	14 oz. (0.4 kg)
Approval	C-UR-US, CSA
Life	100,000 cycles minimum @ max pressure and at max rated load



RFS-4001-031



ORDERING INFORMATION

MODEL	DESCRIPTION
RFS-4001-025	0.15" to 5.0" WC, Comp. Fittings
RFS-4001-031	0.15" to 5.0" WC, Tri-barb Fittings

Note: Add -C suffix for Kele calibration

RELATED PRODUCTS

#21121	Duct impact tube
A-301, A-302	Static pressure tip

PRESSURE