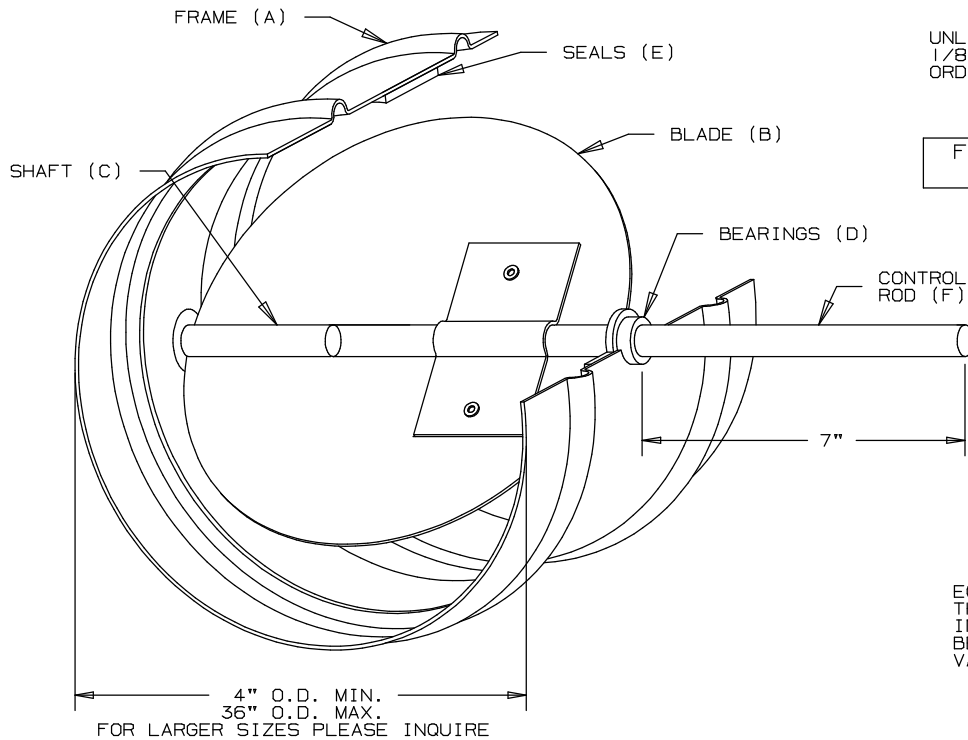


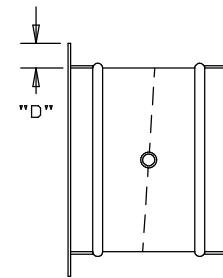
ARROW	TYPE 70	GALV. STEEL
ROUND DAMPERS	TYPE 75	ALUMINUM
SINGLE BLADE	TYPE 80	STAINLESS STEEL

**TIGHT CLOSING DAMPER**  
SUGGESTED MAXIMUM 4" W.G. DIFFERENTIAL PRESSURE



UNLESS OTHERWISE SPECIFIED,  
1/8" WILL BE DEDUCTED FROM  
ORDERED SIZES.

FOR PERFORMANCE DATA  
SEE REVERSE SIDE



OPTIONAL FLANGED FRAME  
EQUAL LEG ANGLES ARE AVAILABLE.  
THEY ARE WELDED TO FRAMES AT  
INTERMITTENT SPACING AND CAULKED  
BETWEEN WELDS. FLANGE HEIGHT "D"  
VARIES WITH DAMPER DIAMETER.

**TYPE 70 GALV. STEEL**

- (A) FRAME : 16 GA. GALVANIZED STEEL.  
x 7 1/2" DEEP.
- (B) BLADE: 16 GA. GALVANIZED STEEL.  
ABOVE 18" DIA. - BLADE  
IS REINFORCED.
- (C) SHAFT: 1/2" DIA. CADMIUM PLATED  
STEEL.
- (D) BEARINGS: FLANGE BRONZE OILITE.
- (E) SEALS: ON FRAME, CLOSED CELL  
NEOPRENE, 1/4" THK.  
TEMPERATURE RANGE  
-35°F TO 180°F.
- (F) CONTROL ROD: CADMIUM PLATED  
STEEL.
- (G) FINISH: GALVANIZED STEEL.

**TYPE 75 ALUMINUM**

- (A) FRAME : .080" THK. ALUMINUM.  
x 7 1/2" DEEP.
- (B) BLADE: .080" THK. ALUMINUM.  
ABOVE 18" DIA. - BLADE  
IS REINFORCED.
- (C) SHAFT: 1/2" DIA. ALUMINUM.
- (D) BEARINGS: FLANGE BRONZE OILITE.
- (E) SEALS: ON FRAME, CLOSED CELL  
NEOPRENE, 1/4" THK.  
TEMPERATURE RANGE  
-35°F TO 180°F.
- (F) CONTROL ROD: CADMIUM PLATED  
STEEL.
- (G) FINISH: MILL.

**TYPE 80 STAINLESS STEEL**

- (A) FRAME : 16 GA. STAINLESS STEEL.  
x 7 1/2" DEEP.
- (B) BLADE: 16 GA. STAINLESS STEEL.  
ABOVE 18" DIA. - BLADE  
IS REINFORCED.
- (C) SHAFT: 1/2" DIA. STAINLESS STEEL.
- (D) BEARINGS: FLANGE BRONZE OILITE.
- (E) SEALS: ON FRAME, CLOSED CELL  
NEOPRENE, 1/4" THK.  
TEMPERATURE RANGE  
-35°F TO 180°F.
- (F) CONTROL ROD: STAINLESS STEEL.
- (G) FINISH: NO 2B TYPE 304  
STAINLESS STEEL

APPROXIMATE SHIPPING WEIGHT (IN LBS.) CAN BE CALCULATED BY MULTIPLYING  
THE CIRCUMFERENCE (DIA. x 3.141) BY .5 FOR TYPES 70 & 80; .3 FOR TYPE 75.



UNION MADE

**ARROW UNITED INDUSTRIES**  
A DIVISION OF MESTEK, INC.  
314 RIVERSIDE DRIVE  
WYALUSING, PA 18853  
TEL: (570) 746-1888 FAX: (570) 746-9286

AGENT: \_\_\_\_\_

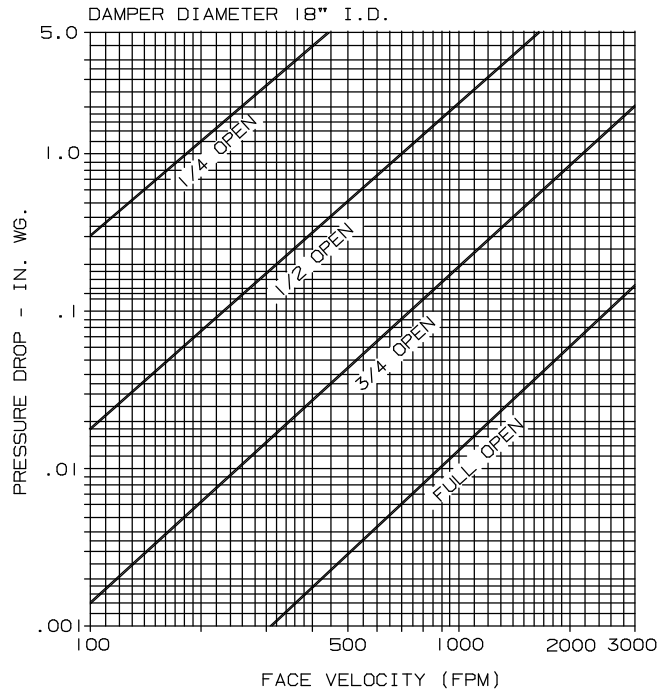
ARCH./ENG. :		
CONTR. :		
PROJECT :		
EDR :	ECN :	JOB :
DATE :	DWN. :	DWG. :

# DAMPER MODELS 70-75-80

## ROUND - CONTROL DAMPER

### PERFORMANCE DATA

PRESSURE DROP RATINGS ARE BASED ON AMCA STANDARD 500 USING TEST SET-UP 5.3 FOR DAMPER INSTALLED WITH DUCT UPSTREAM AND DOWNSTREAM. STATIC PRESSURES ARE CORRECTED TO .075 LB./CU. FT. AIR DENSITY.



AIR LEAKAGE RATINGS ARE BASED ON AMCA STANDARD 500, USING TEST SET-UP 5.4. AIR LEAKAGE IS CORRECTED TO .075 LB./CU. FT. AIR DENSITY.

