

Catalog Number LD95100

MODEL CVR12C-0

Enclosed Relay 20A/300V DPDT
24 Vac/dc

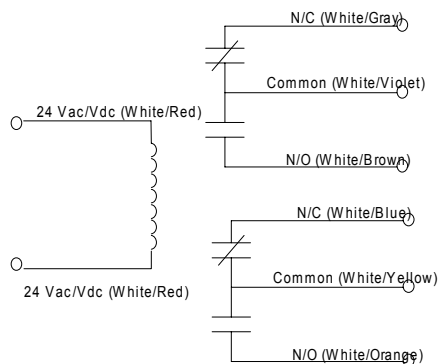
Industrial Control Device UL 508

File # E202892

6D20



Unit shipped with 2 mounting screws
And 1/2" conduit nut



Coil Voltage / Input 24 Vac / Vdc
Relays & Contact Style One (1) DPDT
Expected Relay Life (Mechanical) 10 Million Operations Minimum
Operating Temperature -40 to 150° F
Status Indication LED = Activated
Dimensions 4" x 4" x 1.8"
Mounting Style 1/2-14 NPT Nipple Integral
Lead Wire Length 24" Nominal
Approvals UL 508, C-UL Canada Industrial Control Device
Housing Cyclopy C2950 UL94-5V, Plenum, NEMA1
Override Controls None
Dry Circuit Operation Optional

COIL CURRENT

125 mA @ 24 Vac 50 mA @ 24 Vdc
 100 mA @ 18 Vac 70 mA @ 30 Vdc
 Rated 20-30 Vdc - 18-24 Vac, 60 Hz
 DROP OUT= 6.5 Vdc / 5.5 Vac
 PULL IN = 12 Vdc / 17 Vac

CONTACT RATING

Each Contact
 20 Amps Resistive 15 Vdc / 300 Vac
 13A Resistive 28 Vdc
 5A Resistive 600 Vac
 660 VA pilot duty 120 Vac
 915 VA pilot duty 208 Vac
 960 VA pilot duty 240 Vac
 765 VA pilot duty 480/600 Vac
 B600 pilot duty
 1 hp 120 Vac
 1 1/2 hp 208/240 Vac
 1 hp 480/600 Vac