



# RELAYS & CONTACTORS

## MULTIFUNCTION ELECTRONIC TIMERS

### RTE SERIES

#### DESCRIPTION

The **RTE Series Multifunction Electronic Timers** are socket-mounted adjustable time delay relays available in two function groups. The timer functions and time ranges are easily selected by setting external switches. The knob on the front of the timer is used to set the precise delay period within the selected time range.

#### Timer Functions

- Group 1** - ON-Delay (Delay on Make)
  - Interval
- Group 2** - OFF-Delay (Delay on Break)
  - Single shot

#### FEATURES

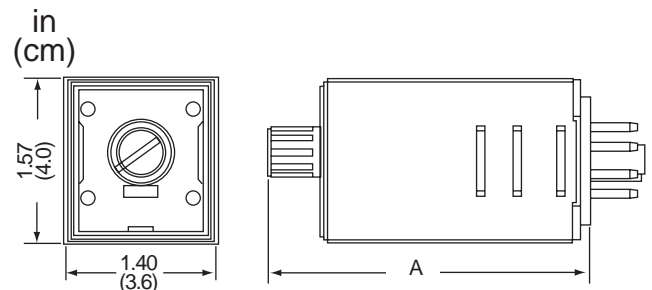
- **Selectable 10 timing functions and 20 time ranges**
- **Time delay settings from 0.1 second to 600 hours**
- **Two Form C delayed output contacts**
- **Space-saving package**
- **High repeat accuracy of  $\pm 0.2\%$**
- **On and timing out LED indicators**
- **Standard 8-pin, 11-pin, or 11-blade relay socket**
- **UL listed, CE certified**

#### SPECIFICATIONS

<b>Time delay settings</b>	0.1 sec to 600 hours
<b>Contact configuration</b>	2 Form C, DPDT (delay outputs)
<b>Contact load rating</b>	10A resist. @ 240 VAC, 30 VDC 7A induct. @ 240 VAC, 30 VDC 1/6 hp @ 120 VAC 1/3 hp @ 240 VAC
<b>Input voltage</b>	100-240 VAC (50/60 Hz) 24 VAC/VDC
<b>Operating temp</b>	-4° to 149°F (-20° to 65°C)
<b>Operating humidity</b>	35% to 85% RH
<b>Repeat accuracy</b>	$\pm 0.2\%$ , $\pm 20$ ms
<b>Voltage accuracy</b>	$\pm 0.2\%$ , $\pm 20$ ms
<b>Temp error</b>	$\pm 0.5\%$ , $\pm 20$ ms
<b>Setting error</b>	$\pm 10\%$ max
<b>Reset time</b>	0.1 sec max
<b>Insulation resistance</b>	100 M $\Omega$ min (500 VDC)
<b>Dielectric strength</b>	2000 VAC, 1 min. (except 1000 VAC between contacts of same pole)
<b>Power consumption</b>	
<b>AC</b>	6.6 VA @ 120 VAC, 3.5 VA @ 24 VAC
<b>DC</b>	1.7W
<b>Mechanical life</b>	50 million operations
<b>Electrical life</b>	500,000 operations
<b>Weight</b>	3.2 oz (89 g)
<b>Agency approvals</b>	UL listed, File #E66043

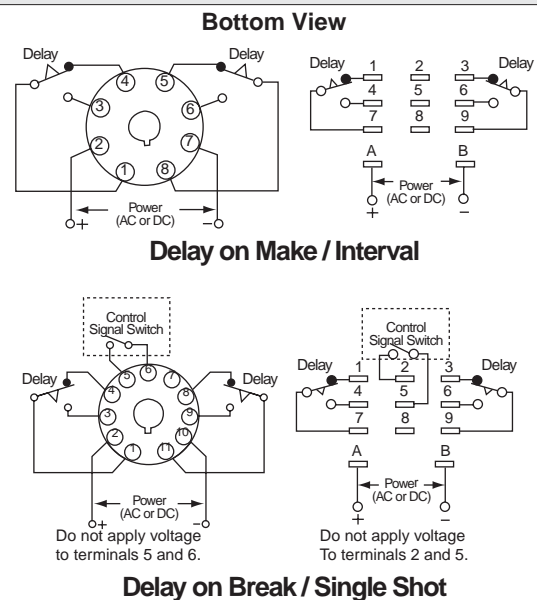


#### DIMENSIONS



**RTE-P 8/11 Pin:** A = 3.06 (7.79)  
**RTE-B 11 Blade:** A = 2.95 (7.49)

#### WIRING



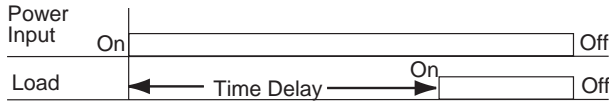


# RELAYS & CONTACTORS

## MULTIFUNCTION ELECTRONIC TIMERS

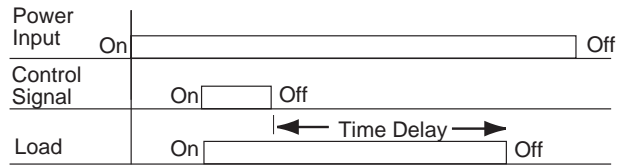
### RTE SERIES

#### OPERATION



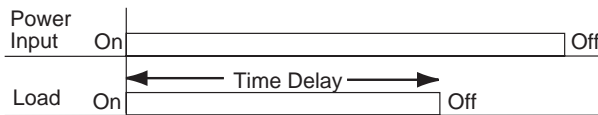
When power is applied to the input terminals, the time delay period begins. At the end of the time delay period, the output contacts transfer. Reset occurs when power is removed and reapplied.

**ON-Delay (Delay on Make)**



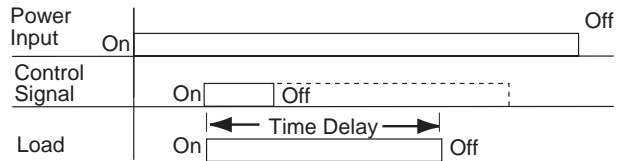
Power must be applied at all times to the input terminals. On closure of a normally open control signal switch, the output contacts transfer and remain in this position. When the control signal switch is reopened, the time delay period begins. At the end of the time delay period, the output contacts transfer back to original position. Reset occurs with closure of the control signal switch.

**OFF-Delay (Delay on Break)**



When power is applied to the input terminals, the output contacts instantly transfer and the time delay period begins. At the end of the time delay period, the output contacts de-energize. Reset occurs when power is removed and reapplied.

**Interval**



Power must be applied at all times to the input terminals. On momentary or maintained closure of a normally open control signal switch, the output contacts transfer and the time delay period begins. At the end of the delay period, output contacts transfer back to the original position. The timer is then ready for the next timing cycle.

**Single Shot (One-Shot)**

#### ORDERING INFORMATION

Model	Description
RTE	Multifunction electronic timer
P	Pin
B	Blade
1	Function group - interval or on-delay (eight-pin or 11-blade)
2	Function group - single shot or off-delay (11-pin or 11-blade)
AF20	Input voltage - 100-240 VAC
AD24	Input voltage - 24 VAC/VDC

**RTE - P 1 - AD24** Example: RTE-P1-AD24 multifunction electronic timer, interval or on-delay, 24 VAC/VDC

#### RELATED PRODUCTS

SR2P-06	8-pin DIN rail/surface mount socket	SFA-202	Hold-down spring
SR3P-06	11-pin DIN rail/surface mount socket	BAM-1000	Aluminum DIN mounting rail
SR3B-05	11-blade DIN rail/surface mount socket	DIN-3F	Steel DIN mounting rail